

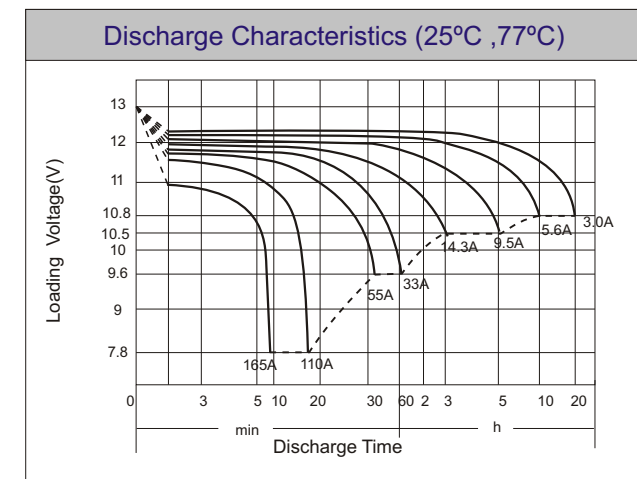
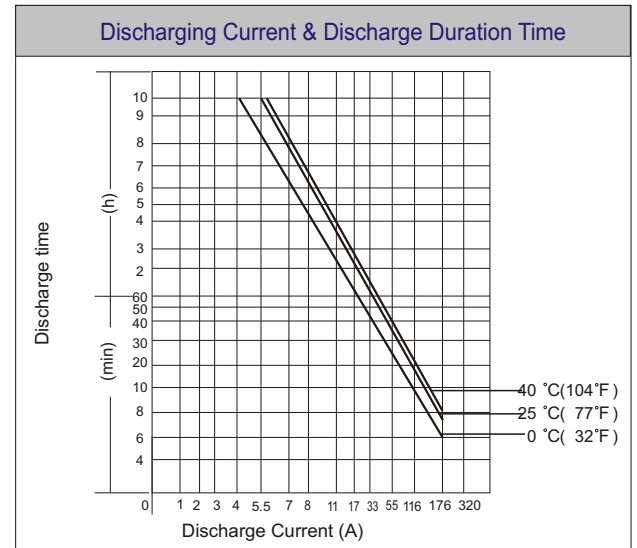
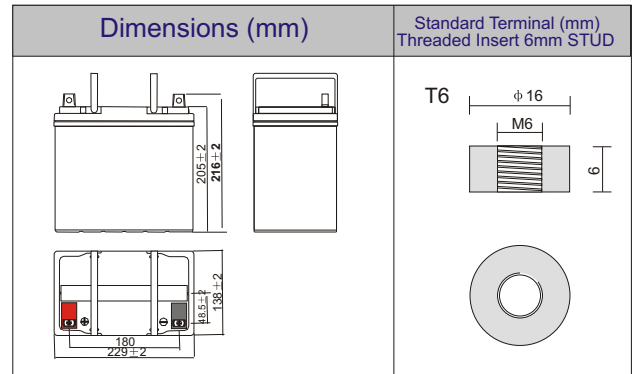


POWER-GUARD SERIES®



PG12V60

VRLA Sealed Long Life Battery



Physical Specification		
Nominal Voltage		12V
Nominal Capacity (20HR)		60AH
Dimension	Length	229 ± 2mm (9.02 inches)
	Width	138 ± 2mm (5.43 inches)
	Container Height	205 ± 2mm (8.07 inches)
	Total Height (with Terminal)	216 ± 2mm (8.50 inches)
Weight		Approx 19.0kg (41.89 lbs)
Standard Terminal		T6 Threaded Insert 6mm STUD

Electrical Specification					
Rated Capacity	20 hour rate (3.00A)	60.0 AH	Constant-Voltage	Cycle	Initial Charging Current less than 16.5A. Voltage 14.4V~ 15.0V at 25°C (77°F) Temp. Coefficient -30mV/°C
	10 hour rate (5.60A)	56.0 AH			
	5 hour rate (9.50A)	47.5 AH			
	3 hour rate (14.3A)	42.9 AH			
	1 hour rate (33.0A)	33 AH			
Capacity affected by Temperature	40°C (104°F)	103%	Charge	Standby	No limit on Initial Charging Current Voltage 13.5V~13.8V at 25°C(77°F) Temp. Coefficient - 20mV/°C
	25°C (77°F)	100%			
	0°C (32°F)	86%			

Constant Current (Amp) and Constant Power (Watt) Discharge Table (25°C, 77°F)														
Time(minute) Final voltage	10	15	20	30	45	60	120	180	240	300	360	480	600	1200
	1.3	1.3	1.3	1.6	1.6	1.67	1.7	1.75	1.75	1.75	1.75	1.8	1.8	1.8
Amps	137.5	104.5	82.5	63.3	44.0	33.0	19.3	14.3	11.0	9.5	8.4	6.5	5.6	3.0
W/Cells	258.5	198.0	161.7	119.4	87.5	65.3	38.3	28.5	21.9	18.9	16.7	13.1	11.2	6.0